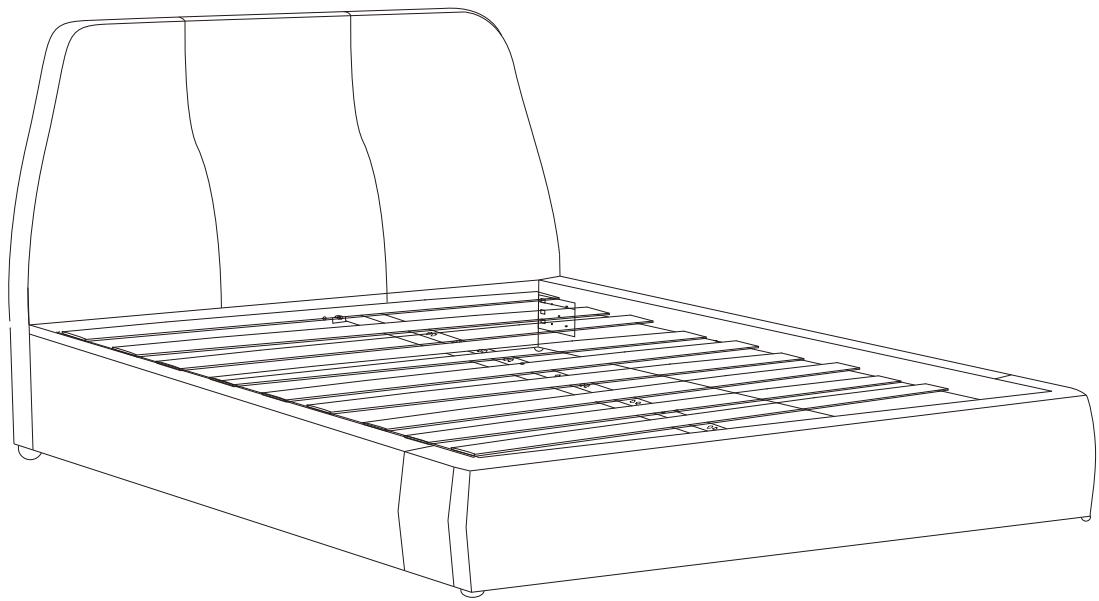


# Assembly Instructions

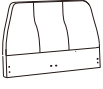


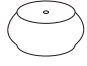
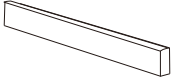

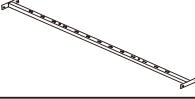





Please retain for future reference


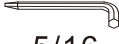

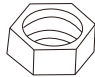
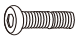
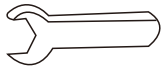




# Assembly Instructions

## Getting to Know your Product

## PARTS IDENTIFICATION

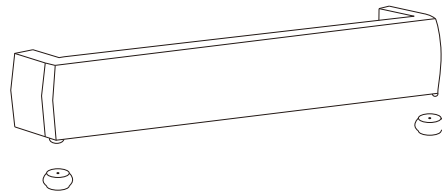
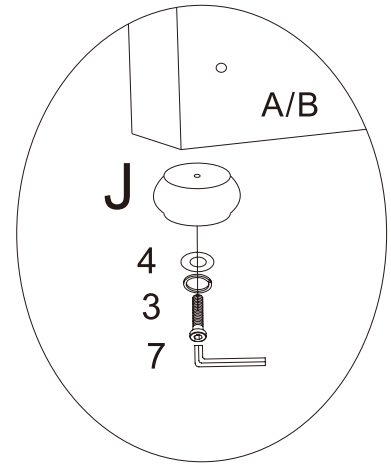
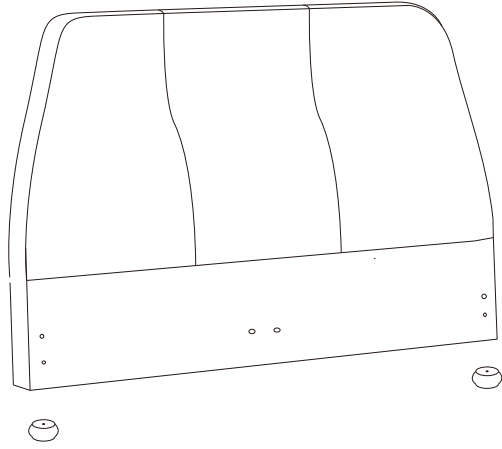
REF	DRAWING DESCRIPTION	QTY	REF	DRAWING DESCRIPTION	QTY
<b>A</b>	 Head board	1pc	<b>I</b>	 Bent Slats	28 pcs
<b>B</b>	 Foot Board	1pc	<b>J</b>	 Legs	4 pcs
<b>C</b>	 Side Rails	1pc	<b>K</b>		
<b>D</b>	 Side Rails	1pc	<b>L</b>		
<b>E</b>	 Center Rail	1pc	<b>M</b>		
<b>F</b>	 Support Leg	2pcs	<b>N</b>		
<b>G</b>	 End Plastic Cap	28pcs	<b>O</b>		
<b>H</b>	 Center Plastic Cap	14pcs	<b>P</b>		

Components supplied. Please use this guide if you require replacement parts.

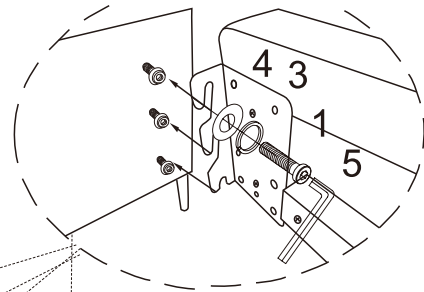
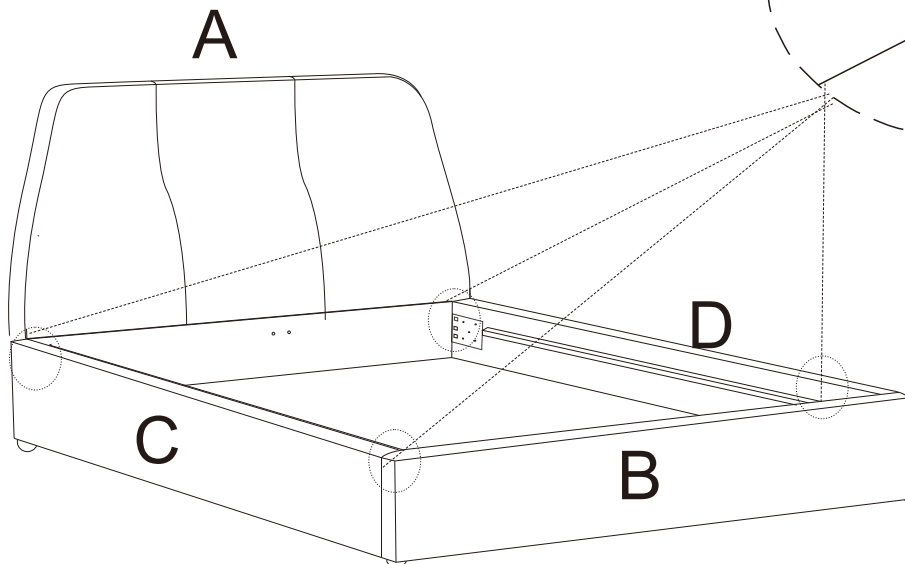
REF	Dimensions	QTY	REF	Dimensions	QTY
<b>1</b>	 5/16X35mm	16 pcs	<b>7</b>	 5/16 Allen Wrench	1pc
<b>2</b>	 5/16X50mm	4 pcs	<b>8</b>	 Nut	5pcs
<b>3</b>	 5/16 x 25mm	16pcs	<b>9</b>	 Wrench	1pc
<b>4</b>	 5/16 Flat Washer	22 pcs	<b>10</b>	 1/4 X 45mm	2pcs
<b>5</b>	 1/4 Flat Washer	18 pcs	<b>11</b>	 5/16X65mm	1pc
<b>6</b>					

Components supplied. Please use this guide if you require replacement parts.

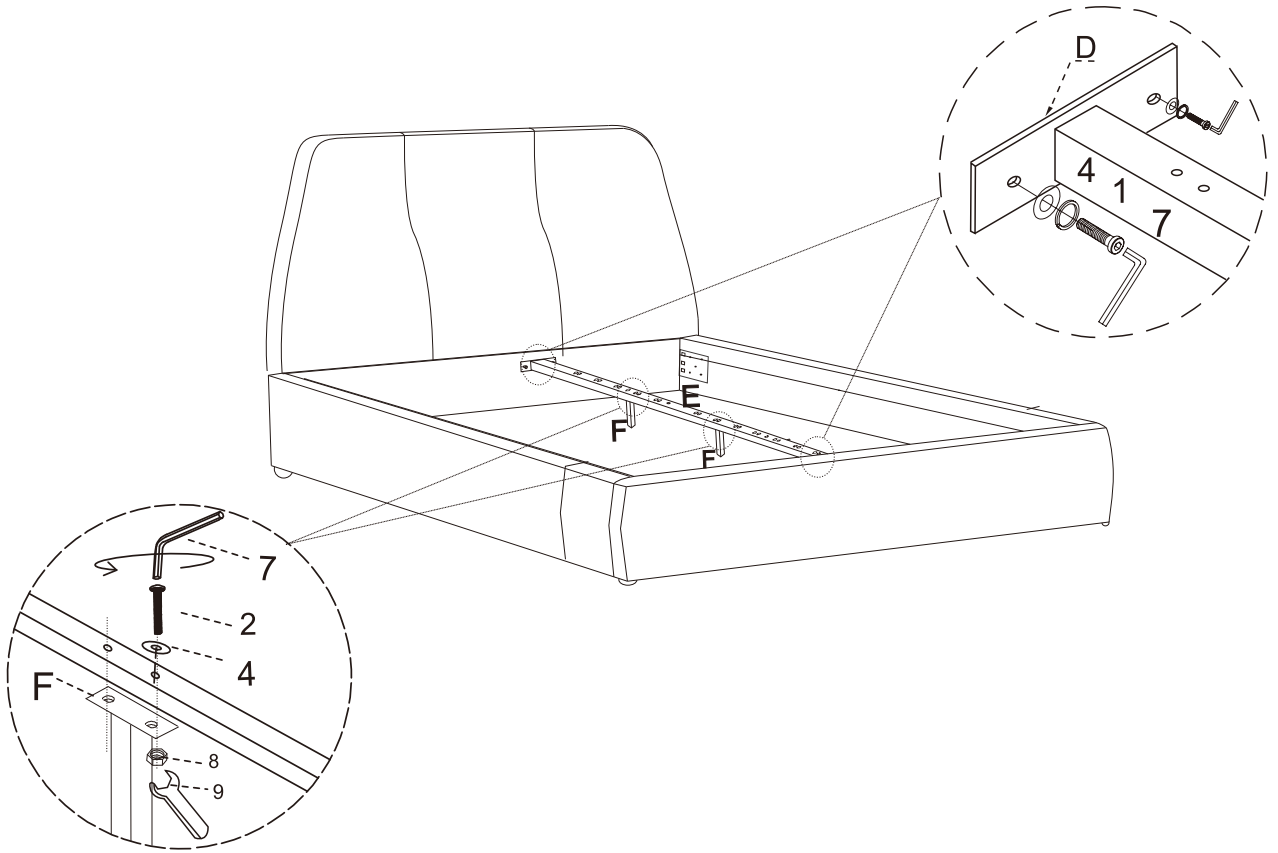
STEP 1



STEP 2



STEP 3



STEP 4

