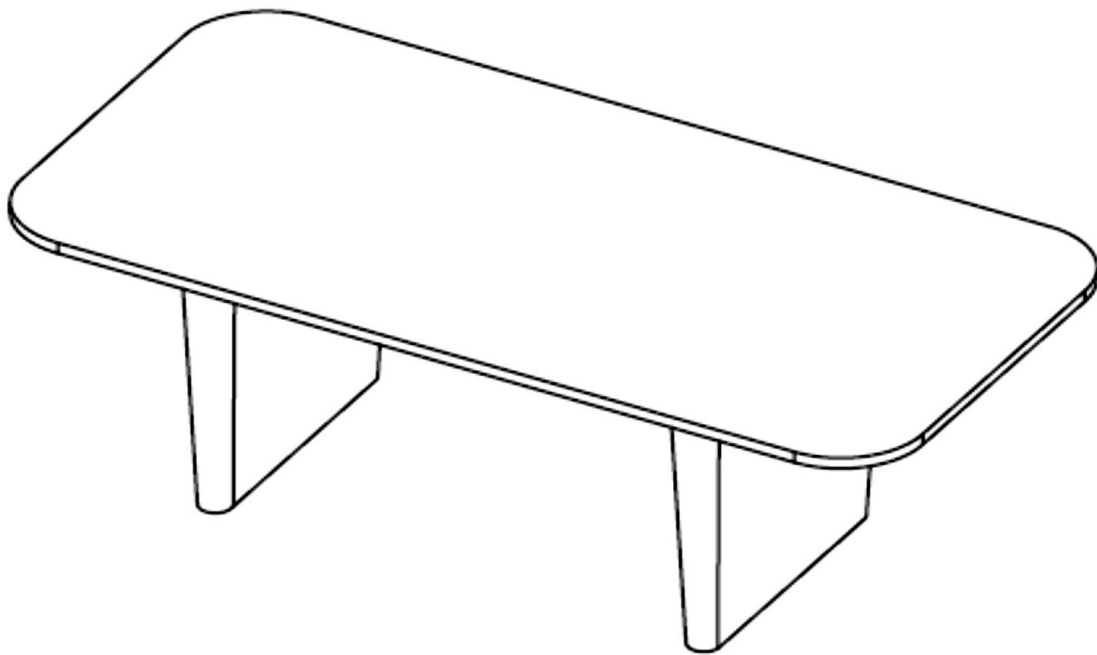

ED01 - EDEN DINING TABLE

Assembly Instructions

Product Size: H76cm x W175cm x D90cm



Please retain for future reference

ED01 - EDEN DINING TABLE

Assembly Instructions

Before You Start

Warnings

Please retain these instructions for future reference.

- > Keep fittings out of children's reach and keep children well away from the assembly area.
- > Ensure that this product is only used on firm, level ground.
- > Periodically check all fittings and re-tighten as necessary.
- > Do not sit or stand on your furniture.
- > Avoid exposing the furniture to excessive heat or direct sunlight, as this can cause deterioration of the colour.
- > Wood will mellow and change colour over time, we recommend that ornaments and items placed on the surface are moved regularly for the first few months to prevent uneven mellowing.

Number of People Required to Assemble

2 persons are required to assemble this item.

Time to Assemble

Approximately 20 minutes required to assemble this item.

Tools required



Missing Parts or Issues

If you have any problems, please don't hesitate to get in touch with your retailer directly.

Do

- > Spend a short time reading through this leaflet before you start.
- > When you are ready to start, make sure that you have the right tools and plenty of space.
- > Unwrap all packaging materials and place components on a clean surface to protect them from damage.
- > The packaging should be used to protect the product during assembly.
- > Carefully check that you have all parts before beginning assembly.
- > The furniture should be assembled in the room that it is intended to be used in.
- > Ensure the product is fully assembled as shown, and that all fixings are fully tightened before use.
- > Wipe occasionally with a soft cloth slightly dampened with water, then buff with a dry clean soft cloth.

Don't



- > Do not drag or pull your furniture.
- > Do not use silicone based furniture polish. Silicone in furniture polishes can break down the finish.
- > Never allow any kind of liquid to remain on your furniture.
- > Absorption can cause wood to warp or finishes to delaminate.
- > Do not place hot items (e.g. hot drinks) directly on to the surface. Make sure you always use a placemat or coaster.

ED01 - EDEN DINING TABLE

Assembly Instructions



Getting to Know your Product

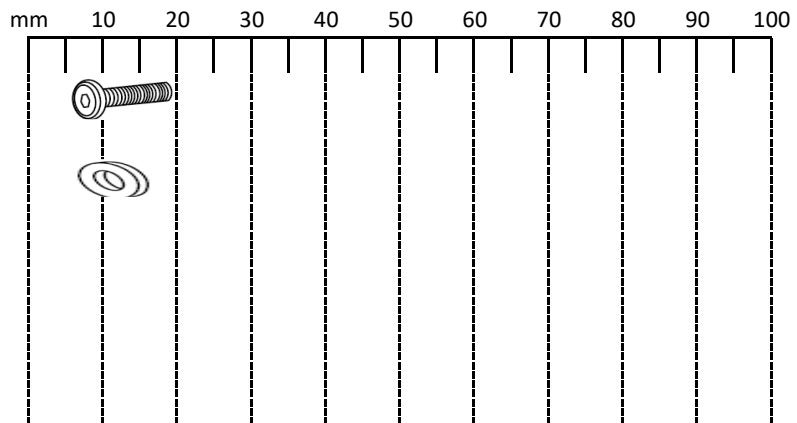
Components supplied. Please use this guide if you require replacement parts.

#	Dimensions	Visual	Qty	Ctn
A	H3cm X W175cm X D90cm		1pc	
B	H6cm X W73.5cm X D71cm		2pcs	


Fixtures and Fittings

Main Fixtures and Fittings Supplied (To Scale)

Ref	Dimensions	Qty
1	 M6x20	16
2	 M8x16	16



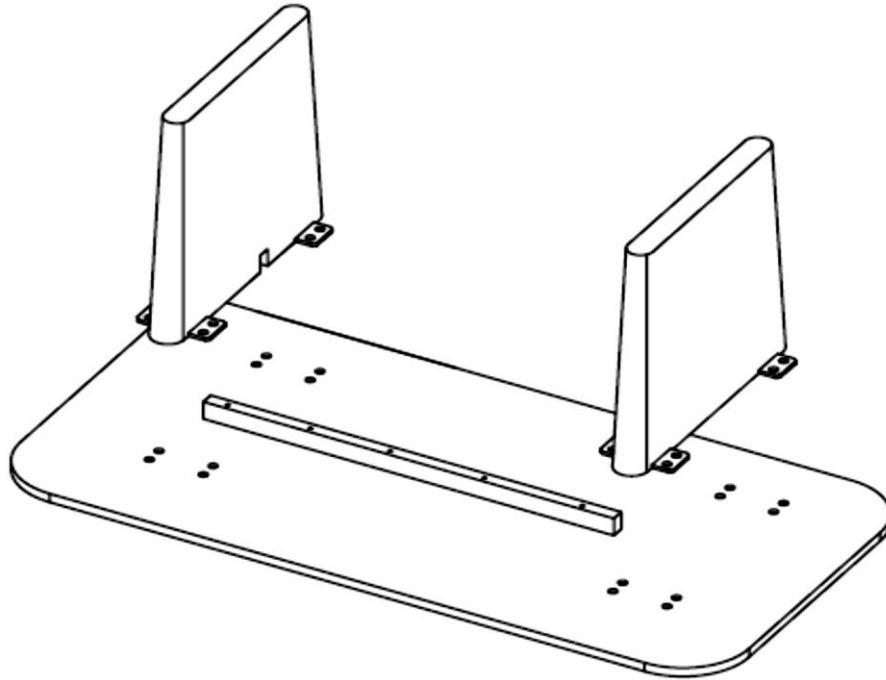
Other Fixtures and Fittings Supplied (Not To Scale)

Ref	Dimensions	Visual	Qty
3	4MM		1

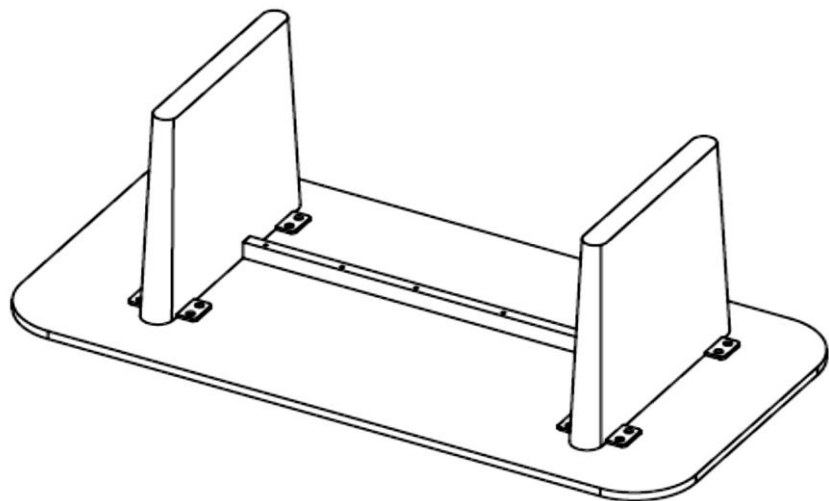
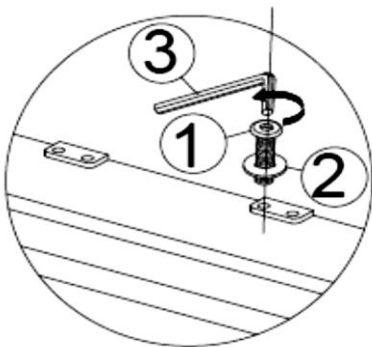
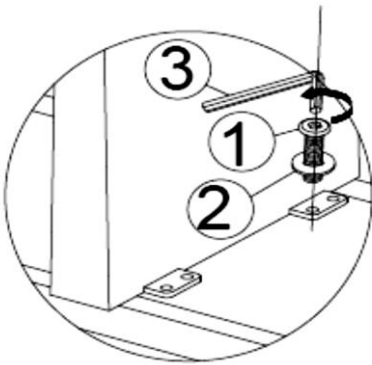
ED01 - EDEN DINING TABLE

Assembly Instructions

1

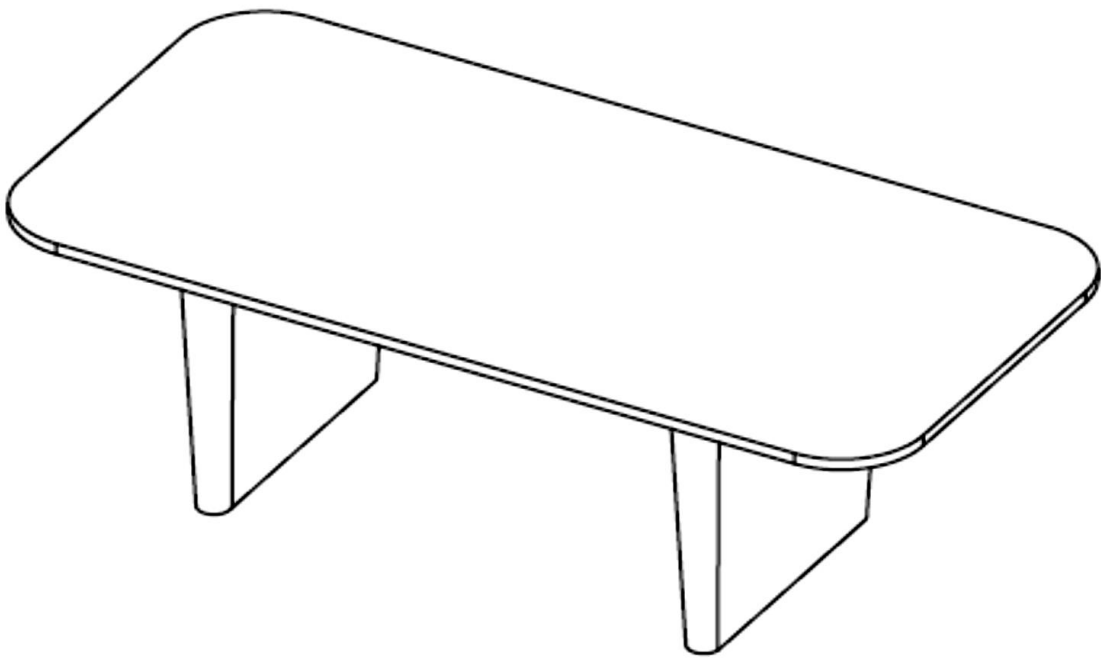


2



ED01 - EDEN DINING TABLE
Assembly Instructions

3



ED01 - EDEN DINING TABLE

Care Guide

Made of Mango wood

Mango wood is natural materials, across each piece you will be able to see and appreciate the unique markings and colours.

These natural features enhance the beauty and individuality of your furniture, they should not be considered as imperfections.

As a natural material wood will continue to move and be affected by its surroundings. Changes in humidity and temperature can lead to warping and/or cracks in the wood. Therefore, it is advisable not to place your furniture against a direct heat source or air conditioning unit.

Over time, with changes in the atmosphere and light, the wood will mellow. To ensure an even tone we recommend that it is not left in direct sunlight and any objects placed on the furniture should be regularly moved around to help avoid colour differences.

General care

- Assemble the product in the room intended for use.
- Always lift your furniture to move it, never drag or push it as this can cause damage.
- Regularly check all fixings and tighten if necessary.
- Wipe with a soft, slightly damp, lint free cloth. Buff with a dry, clean cloth.
- Wipe up spills immediately, never leave liquids sitting on the surface as this can damage the finish.
- Always use matts and coasters to protect the surface when in use.
- Never place hot items directly onto the surface.
- Do not use silicon-based furniture polish as the silicon can affect the finish.