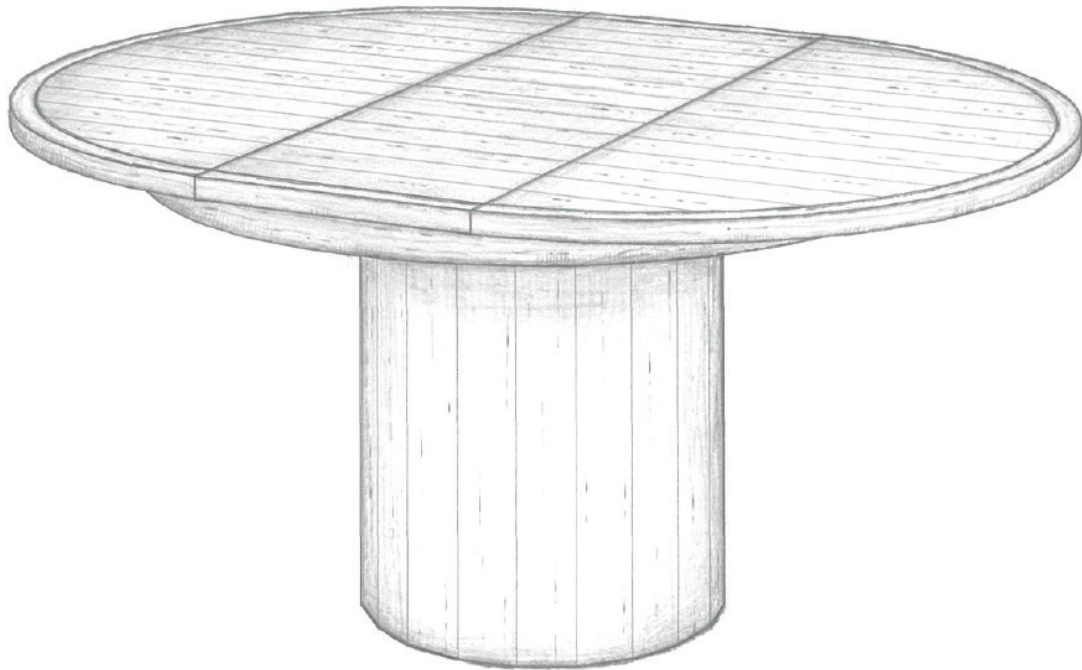


# EXTENSION DINING TABLE

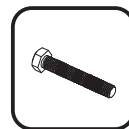
## DTD002



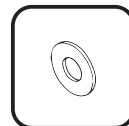
### CONTAIN 3 PARTS

- **Part 1:** Incompleted top section
- **Part 2:** Two middle top sections
- **Part 3:** Base

### HARDWARE PACK



Bolt (4pcs)  
Φ 10 x 80



Washer  
Φ 11 x 26 x 1.8 (4pcs)



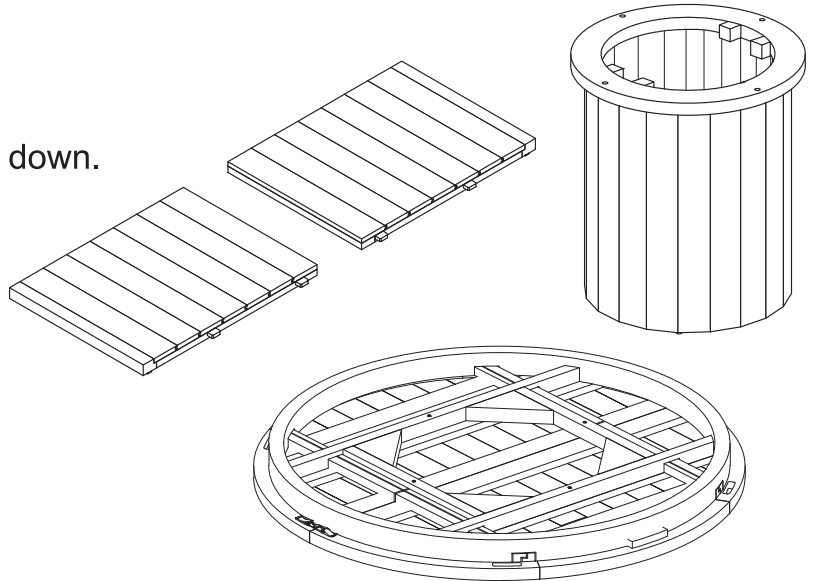
Ring spanner (1pc)  
K 17

**This assembly requires 2 adults!**

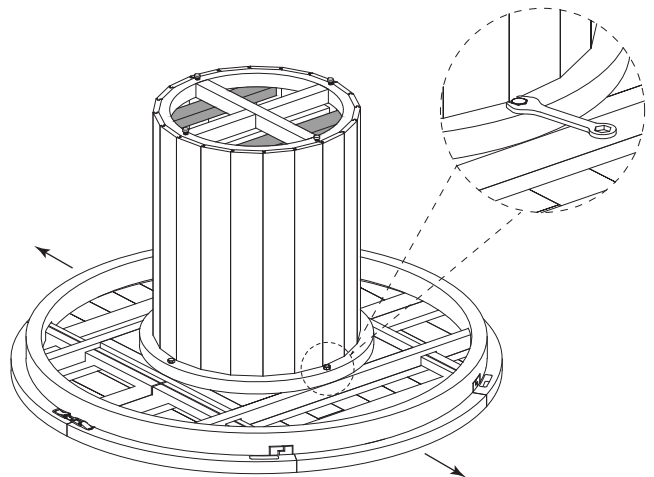
*Lay all parts on a blanket to prevent scratching.*

*Carefully lift each part*

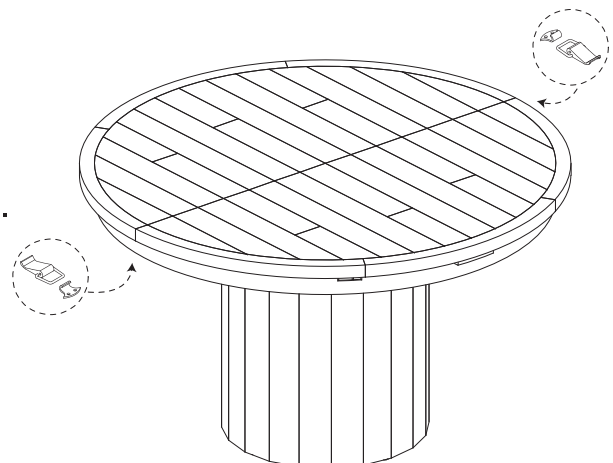
- **Step 1:** Turn the top section up side down.



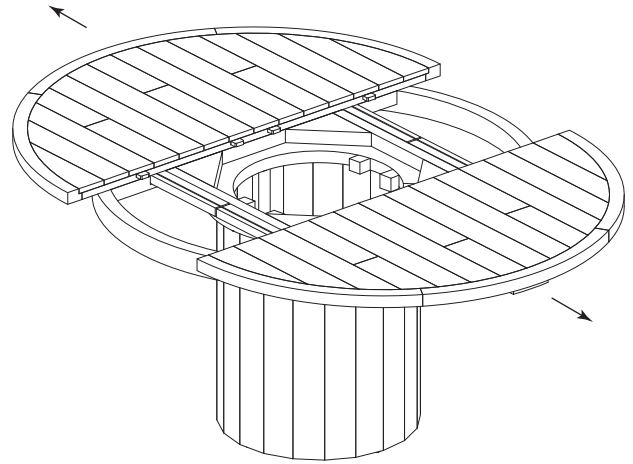
- **Step 2:** Fit the base to the top with bolts and washers, then tighten the bolts by using the ring spanner provided. (Note: please make sure that the indicated direction on the metal pieces of the base is on the same direction of the extended table top).



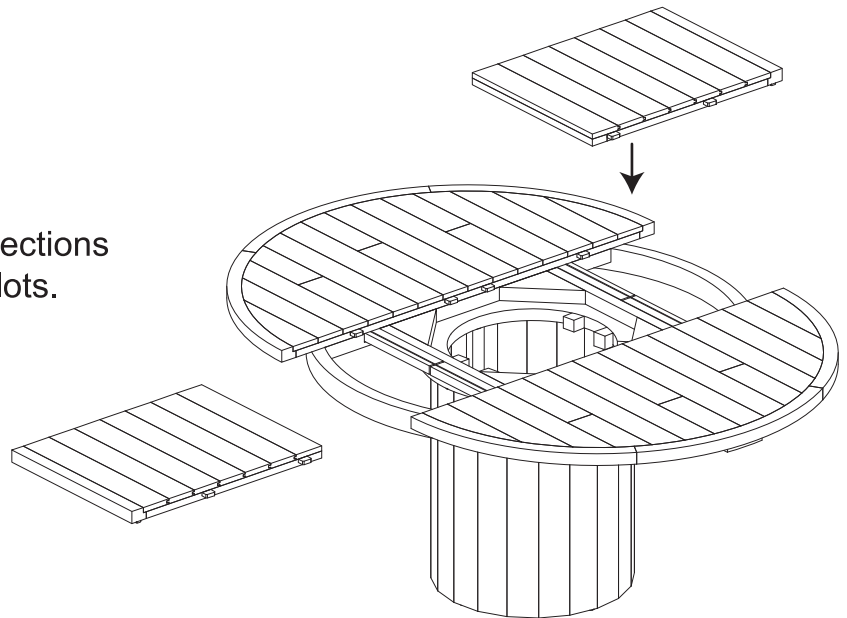
- **Step 3:** Turn the table over, and unlock two locking clips under the table top.



- **Step 4:** Open the table top by pulling each side out from the middle position where the arrow is.

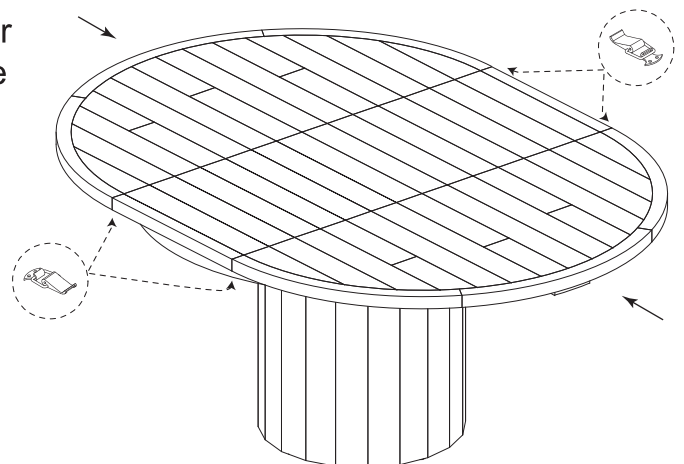


- **Step 5:** Fit the two middle top sections into place to align the slots.

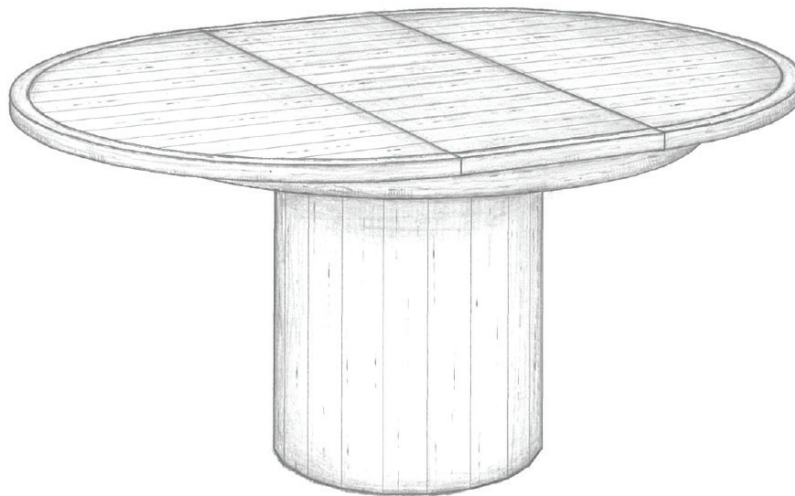
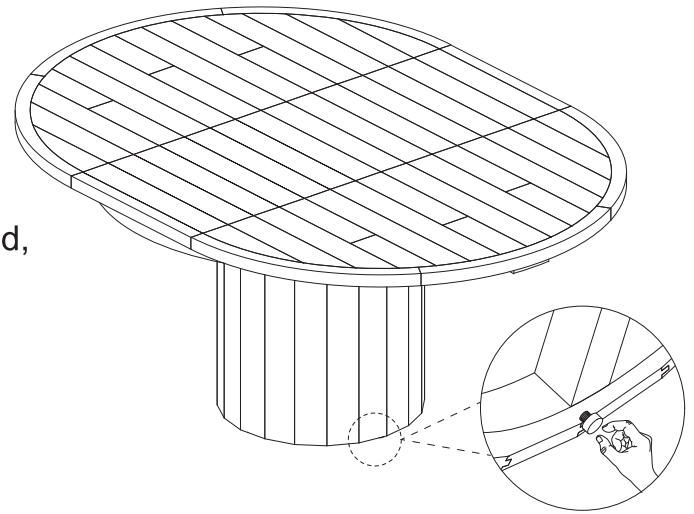


- **Step 6:** Push both ends of the table together and fasten the clips at the underside to lock the leaf in place.

(Note: When you want to use the table with the extension section, simply unlock the clips before pulling the two ends of the table to take the middle sections out.)



- **Step 7:** Adjust the rubber pin under base until each rubber pin touches the ground, and your table will be in balance.



**The assembly is now completed!**

**ENJOY YOUR NEW  RECLAIMED<sup>®</sup> PRODUCT**

For further information, please visit our website [www.pgt-reclaimed.com](http://www.pgt-reclaimed.com)