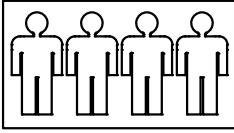


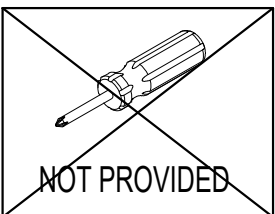
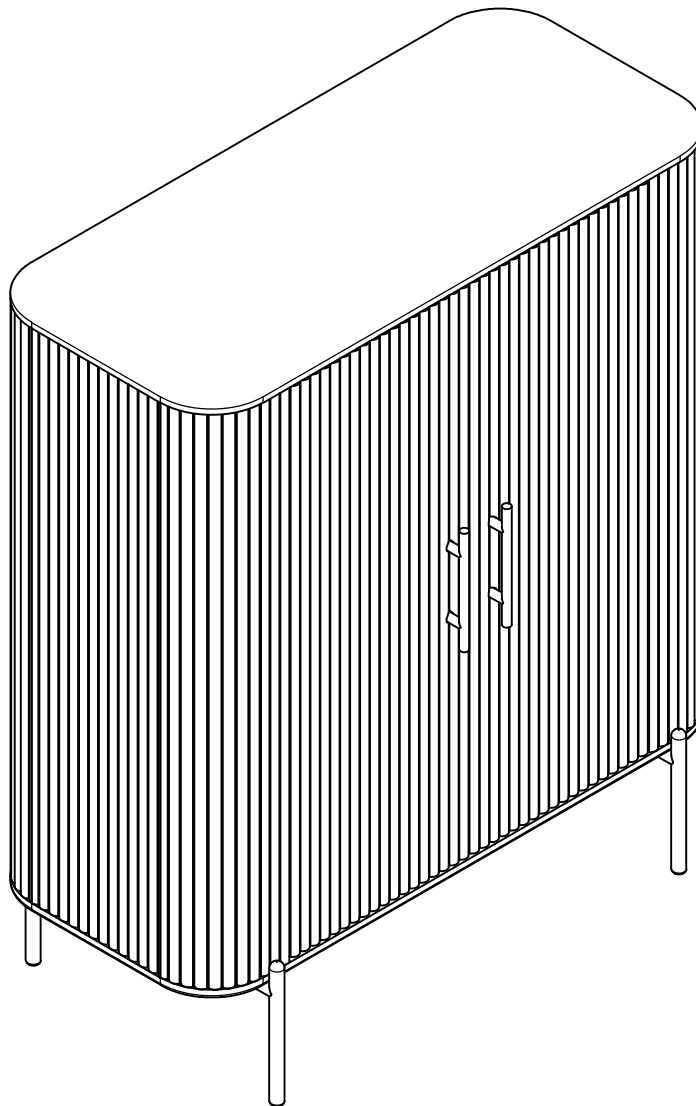


60 min



ASSEMBLY INSTRUCTION

HIGHBOARD CABINET - REED



NOT PROVIDED

Marble and wood are both natural materials, across each piece you will be able to see and appreciate the unique markings and colours.

These natural features enhance the beauty and individuality of your furniture, they should not be considered as imperfections.

As a natural material wood will continue to move and be affected by its surroundings.

Changes in humidity and temperature can lead to warping and/or cracks in the wood.

Therefore, it is advisable not to place your furniture against a direct heat source or air conditioning unit.

Over time, with changes in the atmosphere and light, the wood will mellow.

To ensure an even tone we recommend that it is not left in direct sunlight and any objects placed on the furniture should be regularly moved around to help avoid colour differences.

Due to the weight of this item it is highly recommended that a minimum of 4 people are available to lift, turn and move the item into place.

- Assemble the product in the room intended for use.
- Always lift your furniture to move it, never drag or push it as this can cause damage.
- Regularly check all fixings and tighten if necessary.
- For general care wipe with a soft, lint free cloth.
- For more stubborn marks, use a damp lint free cloth and buff with a dry, clean cloth.
- Wipe up spills immediately, never leave liquids sitting on the surface as this can damage the finish.
- Always use matts and coasters to protect the surface when in use.
- Never place hot items directly onto the surface.
- Do not use the surface as a chopping board.
- Do not use silicon-based furniture polish as the silicon can affect the finish.

WARNING!

In order to prevent overturning this product must be used with the wall attachment device provided.

Serious or fatal crushing injuries can occur from furniture tipping over. To help prevent topple over:

- **Use the wall attachment devices provided**
- **Never allow children to climb or hang on drawers, doors or shelves**
- **Do not overload drawers**
- **Place heaviest items in the lower drawers or shelves**
- **Unless specifically designed to accommodate, do not set TV's or other heavy objects on top of this product**
- **Never open more than one drawer at a time**

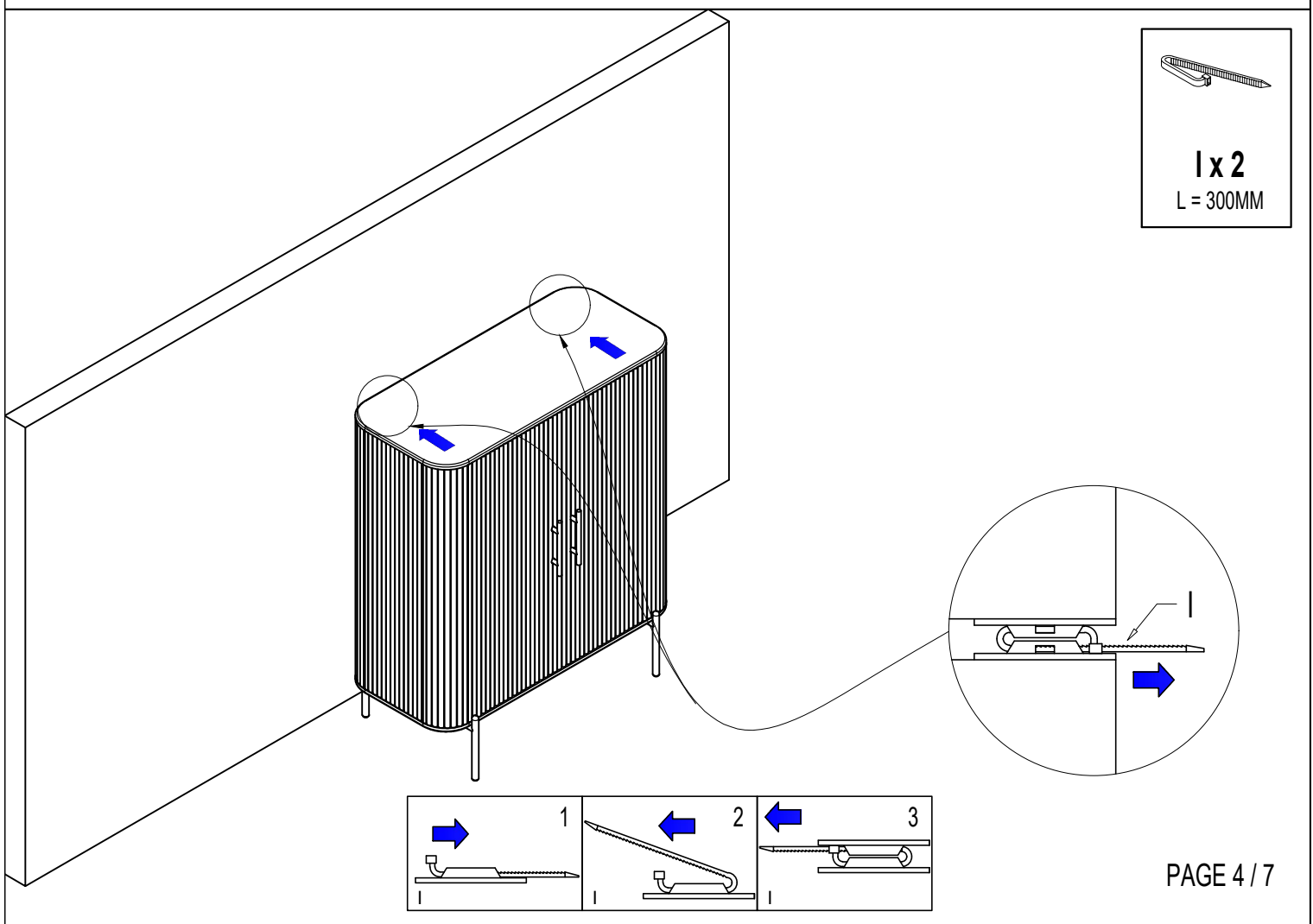
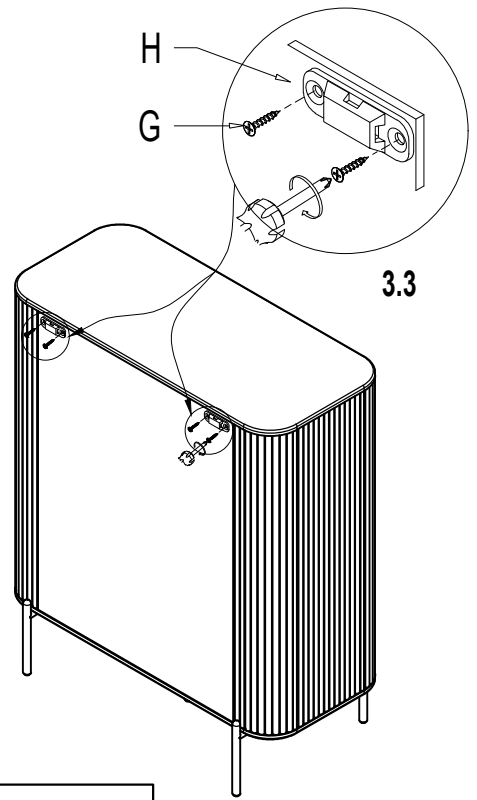
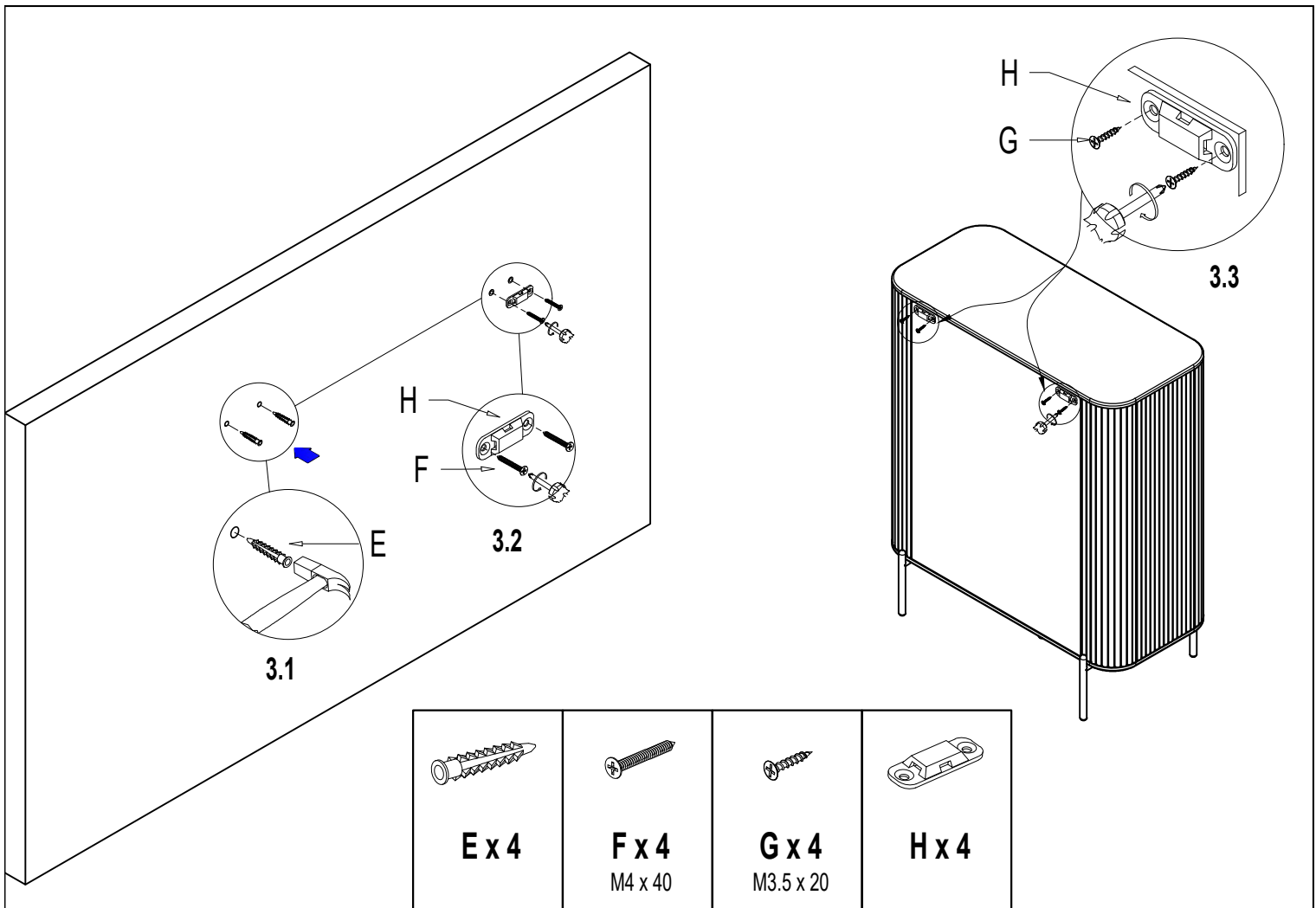
An attachment device is provided with your product.

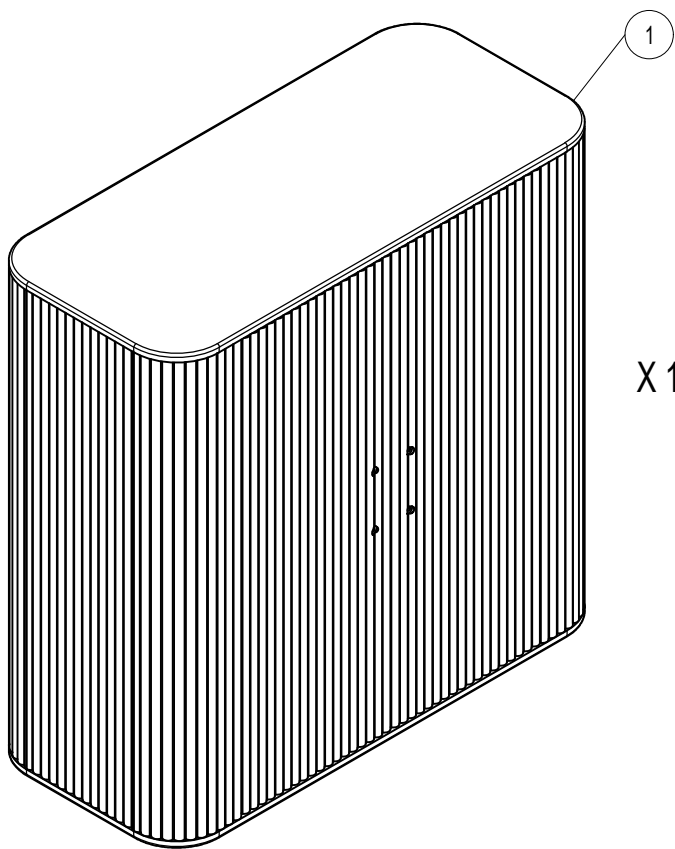
Fixings may be included, however please ensure that these are suitable for your wall type.

If they are not, you will need to source suitable fixings for your wall type.

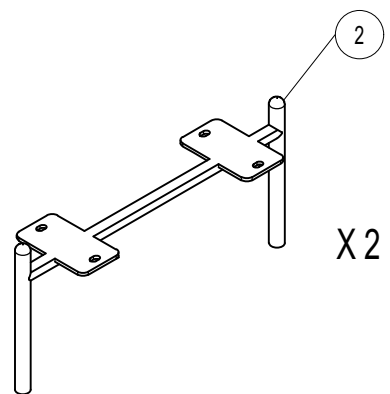
If in doubt consult a qualified trades person.

Always ensure that the wall to be drilled into is free from hidden electrical wires, water and gas pipes. **If in doubt consult a qualified trades person.**

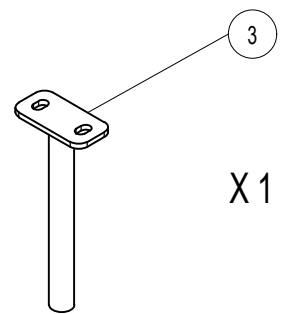




X 1



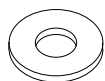
X 2



X 1



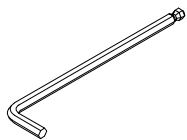
A x 10
M6 x 15



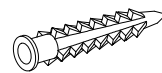
B x 10
Ø19



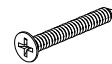
C x 10
Ø12



D x 1
V4



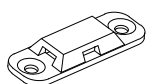
E x 4



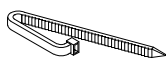
F x 4
M4 x 40



G x 4
M3.5 x 20



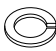
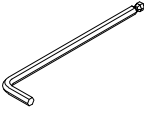


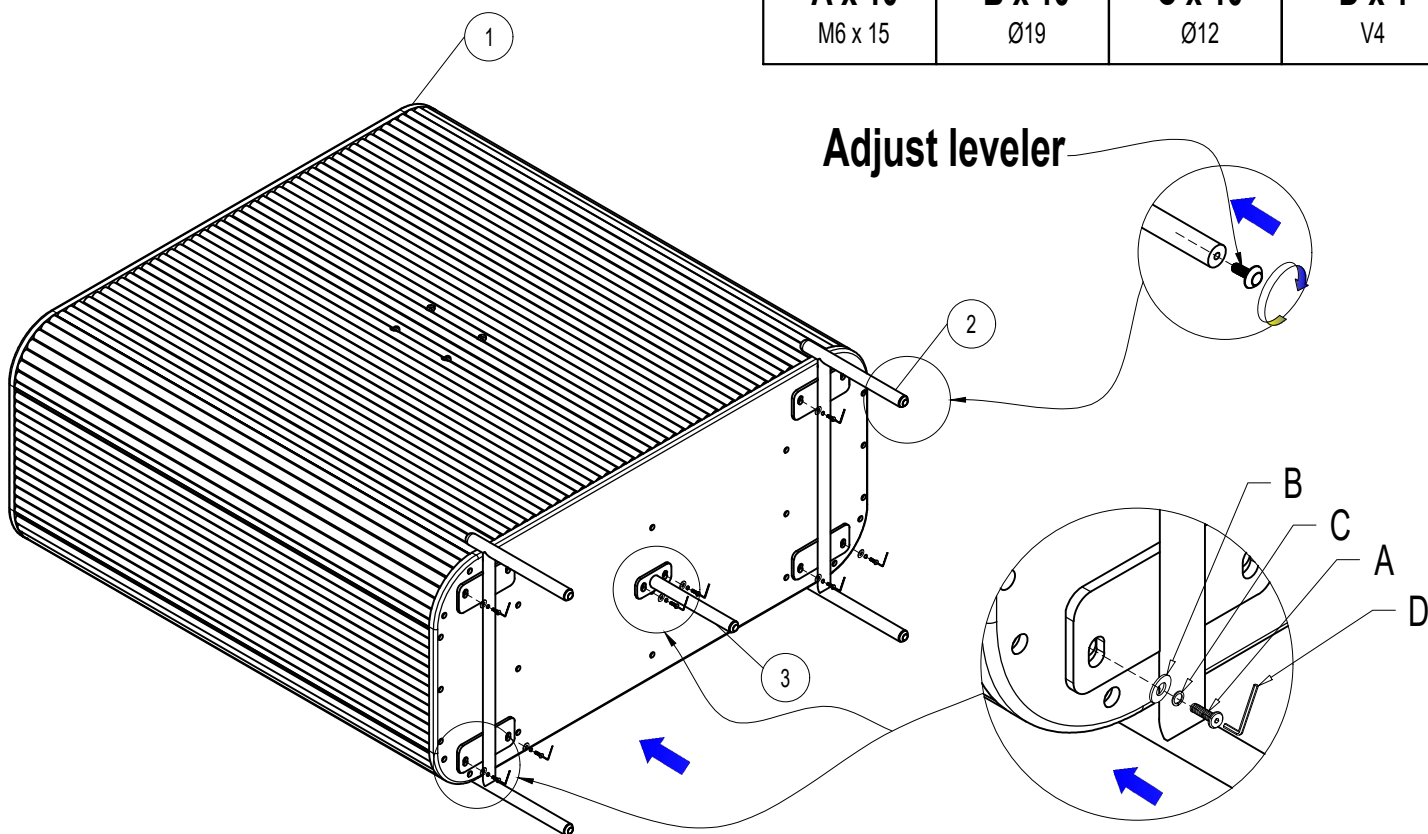
H x 4



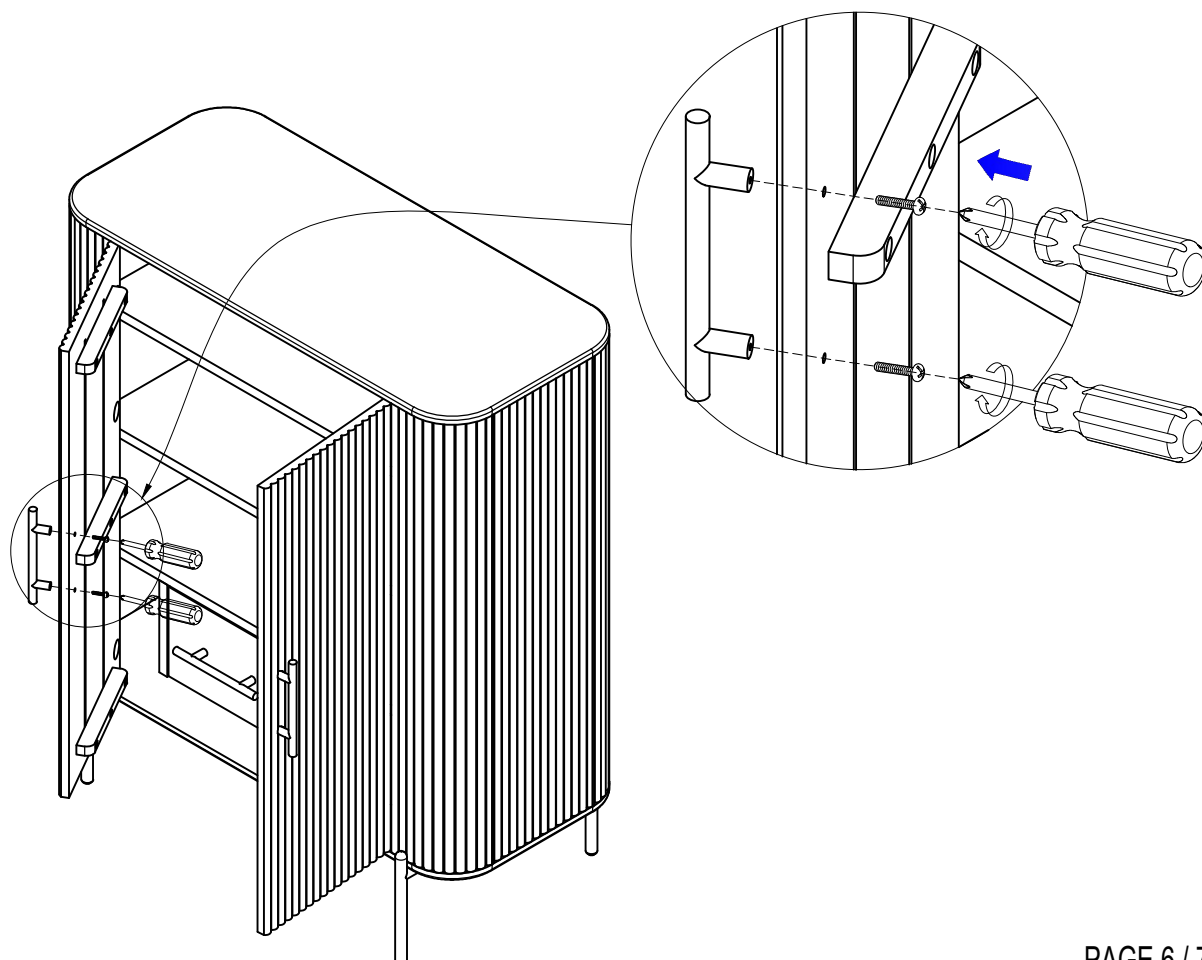
I x 2
L = 300MM

STEP 1

			
A x 10 M6 x 15	B x 10 Ø19	C x 10 Ø12	D x 1 V4

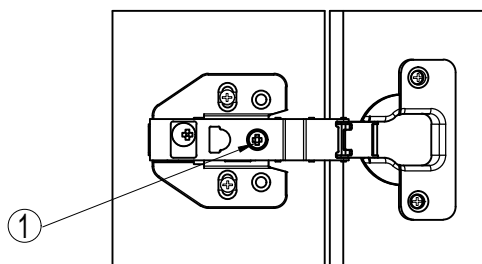
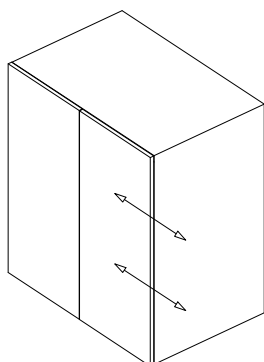


STEP 2



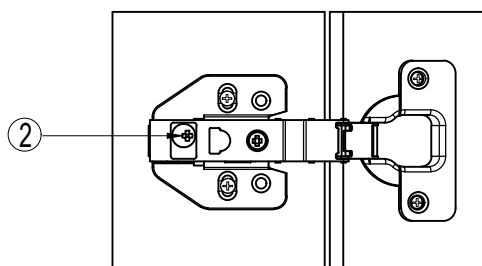
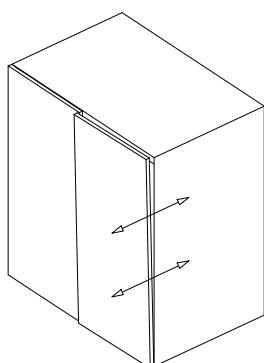
DOOR ADJUSTMENT

1 Side adjustment if the doors are not straight



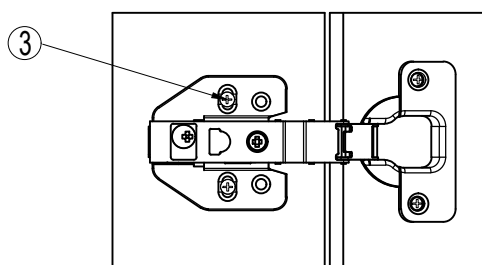
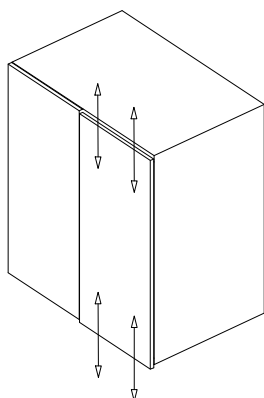
To move the door towards or away from the centre of the unit, loosen the screw shown. Adjust the position of the door then retighten the screw

2 Depth Adjustment



To move the door towards or away from the unit, adjust the screw indicated clockwise or anti clockwise to get the position required

3 Height adjustment



To adjust the height position of the door loosen the screws indicated on the side panel bracket, you will need to do this on all the brackets, adjust the door position and retighten the screws to secure the door.